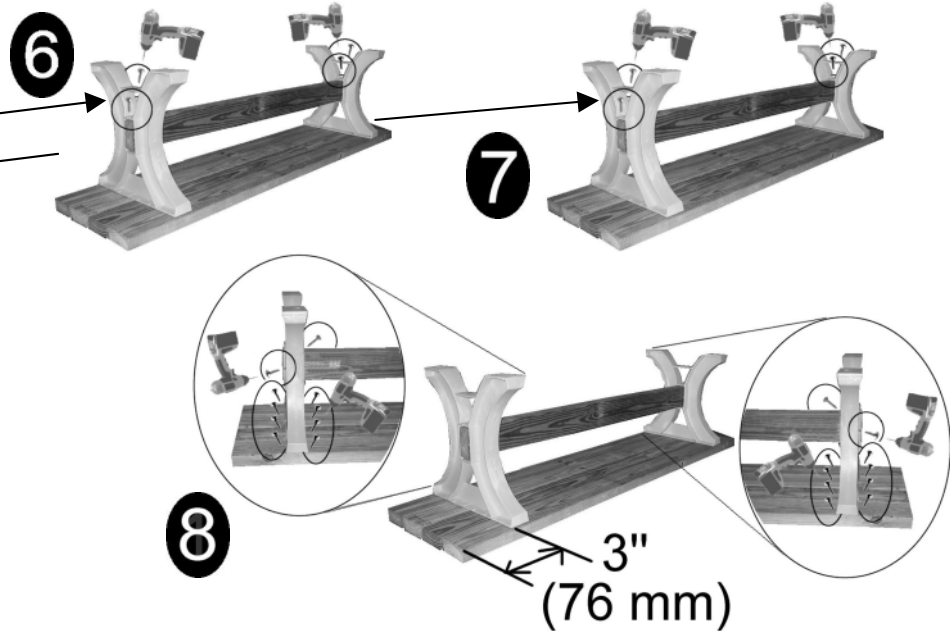
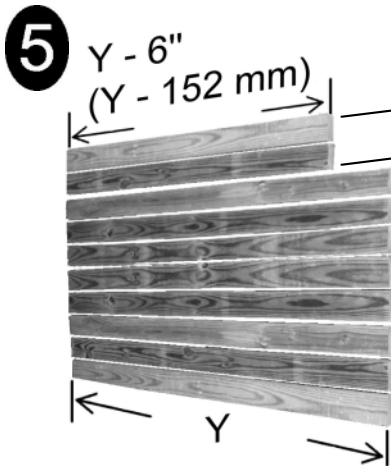
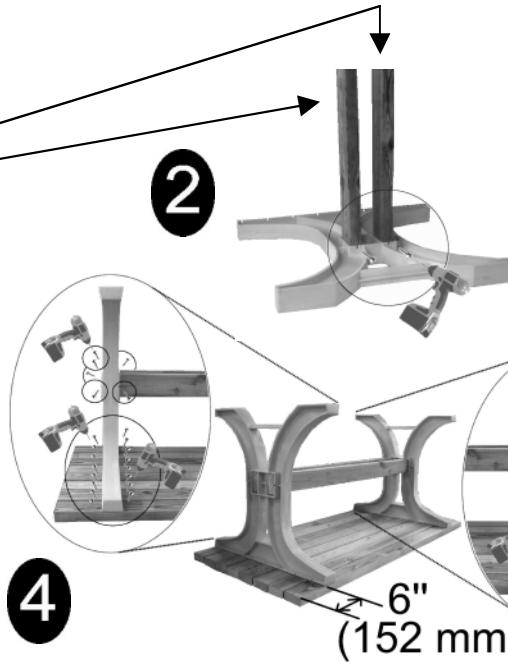
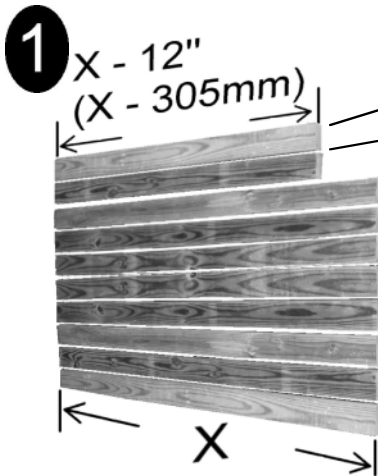
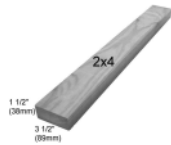




2x4basics®
OUTDOOR FURNITURE PICNIC TABLE KIT



Full Lifetime Warranty for this 2x4basics product purchased for normal household use in North America. FPI warrants this product to the original purchaser against any defect due to faulty material or workmanship. FPI will repair, replace, or refund the purchase price of the product, at the option of FPI, upon return of the product and the original receipt. In the US, this warranty gives you specific legal rights that may vary from state to state.



1018 New Holland Avenue
 Lancaster, PA 17601-5688 USA