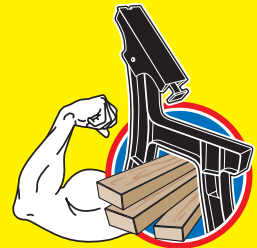
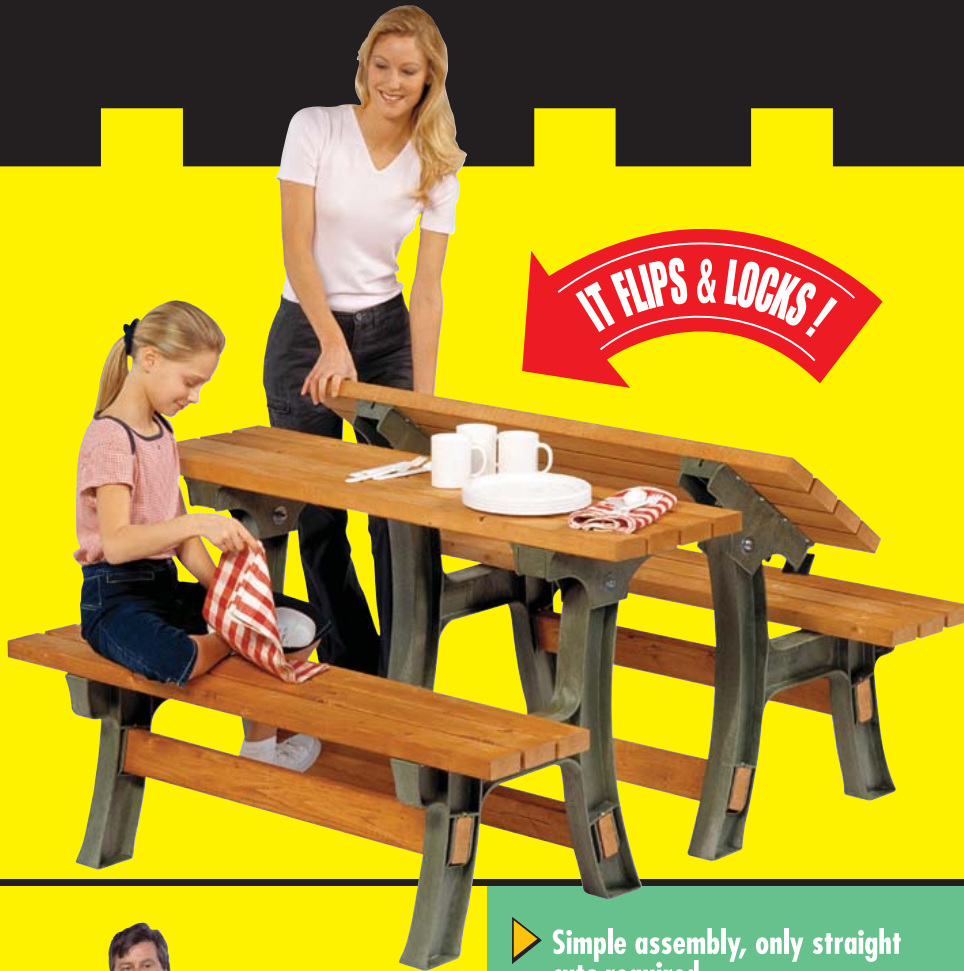


**OUTDOOR
FURNITURE**

2x4basics[®]

FLIP TOP BENCHTABLE[™]

IT FLIPS & LOCKS!



- ▶ Simple assembly, only straight cuts required
- ▶ Space saving versatility
- ▶ Flips and locks into the table position without tools
- ▶ Made of maintenance-free structural resin
- ▶ Lifetime manufacturer's warranty
- ▶ Available Colors: Green & Sand



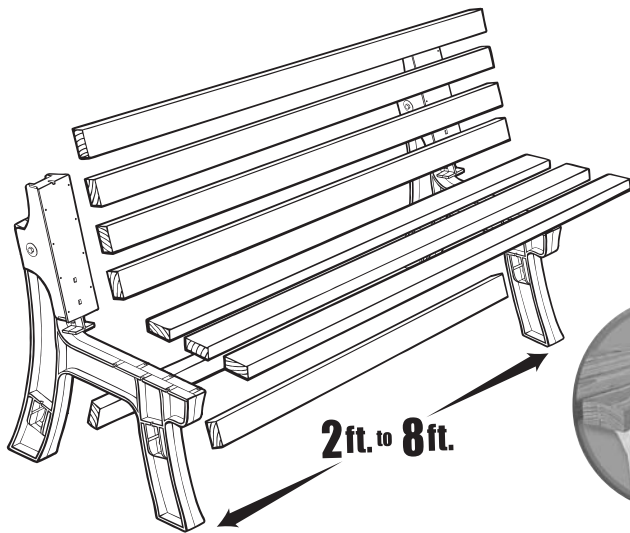
MAKE IT ANYSIZE[™]

JUST ADD 2X4's[™]

2x4basics®

OUTDOOR FURNITURE

FLIP TOP BENCHTABLE™



The patented Slide-lock top converts in seconds, with a flick of the wrist, from a Bench to a Table without tools.



MAKE IT ANYSIZE™

BenchTable Length	2x4's Needed	Cut Lengths
4'	(5) 8'	(7) 4' and (2) 35-1/2"
6'	(9) 8'	(7) 6' and (2) 59-1/2"
8'	(9) 8'	(7) 8' and (2) 63-1/2"

Also available from 2X4basics®



Finley
PRODUCTS, INC. Lancaster, PA

MADE IN
USA

VISIT OUR WEB SITE: www.2x4basics.com