

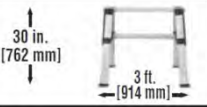

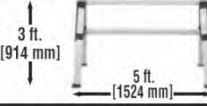
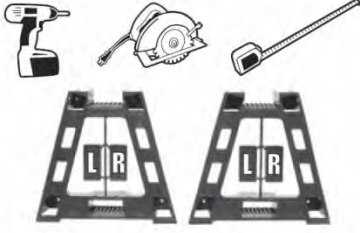


SAWHORSE ^{2x4 basics} PRO BRACKETS



Materials Needed	2x4 x 8 ft. (38 mm x 89 mm x 2438 mm)		
	x2	x2 3 ft. [914 mm]	x4 30 in. [762 mm]
	x3	x2 4 ft. [1219 mm]	x4 32 in. [813 mm]
	x3	x2 5 ft. [1524 mm]	x4 3 ft. [914 mm]

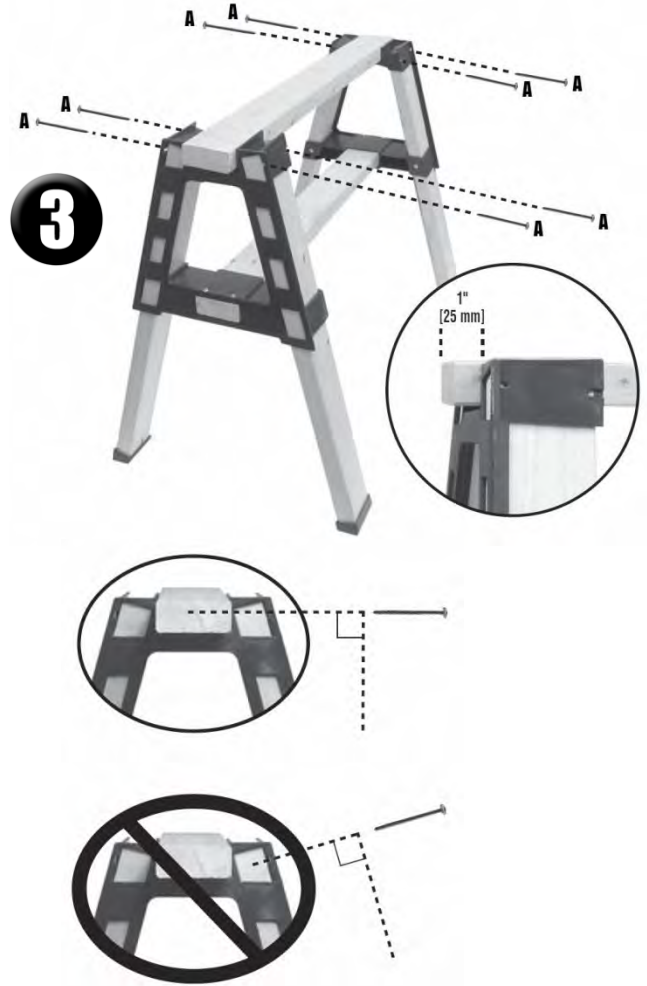
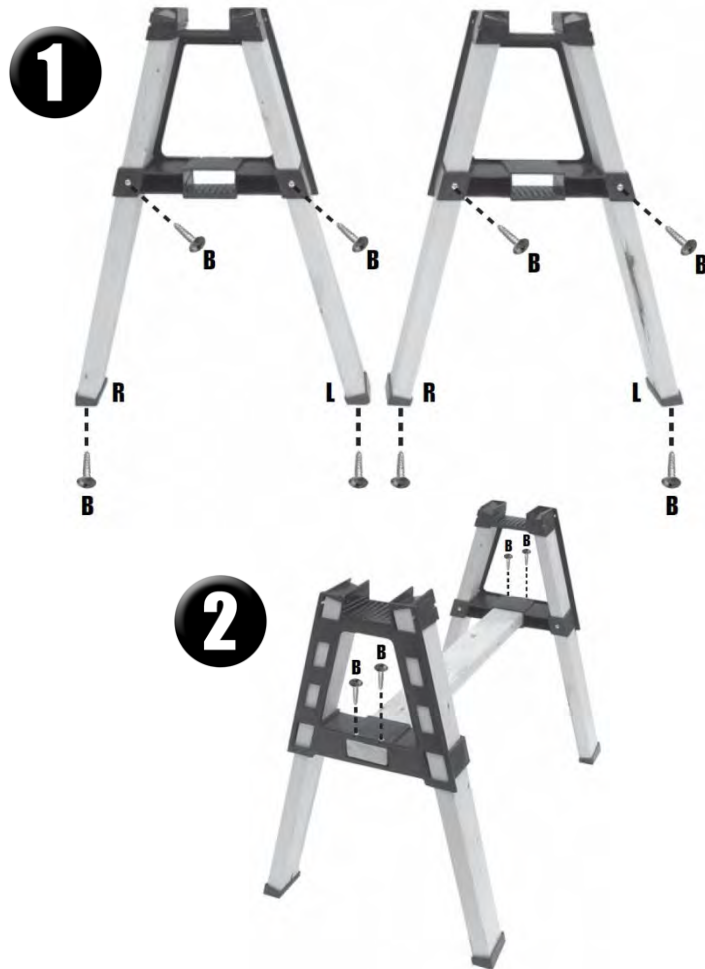


Tools Needed

A **x8**
#8 x 3 in.
[4.5 mm x 76 mm]

B **x12**
#10 x 1 in.
[4.75 mm x 25 mm]

Included



2-Year Limited Warranty for this 2x4basics product purchased for normal household use. Hopkins Mfg. warrants this product to the original purchaser of a Hopkins Mfg. product that it will be free from defects in material and workmanship for a period of 2 years from the date of purchase. Hopkins Mfg. will repair, replace, or refund the purchase price of the product, at the option of Hopkins Mfg., upon return of the product and the original receipt. In the US, this warranty gives you specific legal rights that may vary from state to state.

2x4basics[®]
Make it AnySize™



www.2x4basics.com

428 Peyton St.
Emporia, KS 66801
800-524-1458

850017